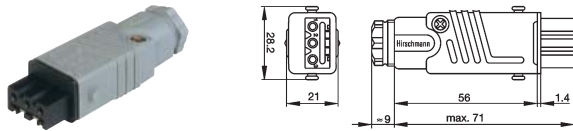


STAK Series (continued)

STAK 3 N



Technical Parameters		STAK 3 N
Type	cable socket with strain relief, grey colour	
Number of contacts	3 + PE	
Conductor size	1,5 mm ²	
Cable diameter	6 - 10mm	
Rated voltage	400 V AC/ 250 V DC	
Rated current	16 A AC / 10 A DC	
Type of termination	screw	
Protection class	IP54	
Operating temperature	-30°C to 90°C	

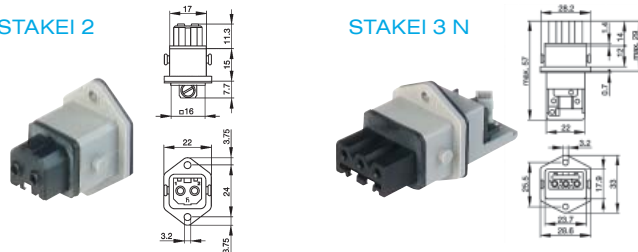
Part No.	Manuf. No.	Ord.No.
S STAK 3 N	932140-106	49984

STAKEI Series

STAKEI 2



STAKEI 3 N



Technical Parameters		STAKEI 2	STAKEI 3 N
Type	panel-mounted socket, added gasket		
Number of contacts	2 + PE	3 + PE	
Conductor size	1,5 mm ²		
Rated voltage	250 V AC/DC	400 V AC/ 250 V DC	
Rated current	16 A AC / 10 A DC	16 A AC / 10 A DC	
Type of termination	screw	screw	
Protection class	IP54	IP54	
Operating temperature	-30°C to 90°C		

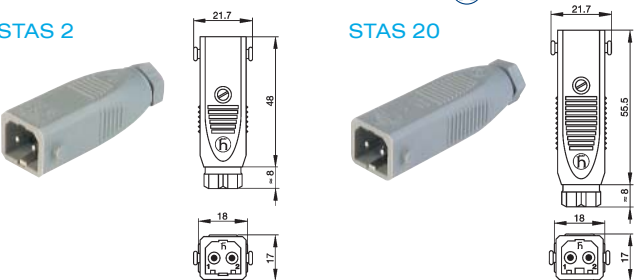
Part No.	Manuf. No.	Ord.No.
S STAKEI 2	930647-106	42755
S STAKEI 3 N	932142-106	51122

STAS Series

STAS 2



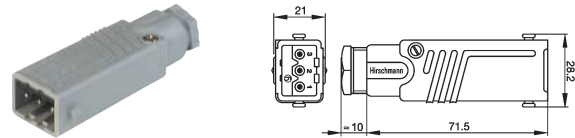
STAS 20



Technical Parameters		STAK 2	STAK 20
Type	cable plug without / with strain relief		
Number of contacts	2 + PE		
Conductor size	1,5 mm ²		
Cable diameter	4 - 6,5mm		
Rated voltage	250 V AC/DC		
Rated current	16 A AC / 10 A DC		
Type of termination	screw		
Protection class	IP54		
Operating temperature	-30°C to 90°C		

Part No.	Manuf. No.	Ord.No.
S STAS 2	930620-106	50812
S STAS 20	931265-106	50811

STAS 3 N



Technical Parameters		STAS 3 N
Type	cable plug with strain relief	
Number of contacts	3 + PE	
Conductor size	1,5 mm ²	
Cable diameter	6 - 10mm	
Rated voltage	400 V AC/ 250 V DC	
Rated current	16 A AC / 10 A DC	
Type of termination	screw	
Protection class	IP54	
Operating temperature	-30°C to 90°C	

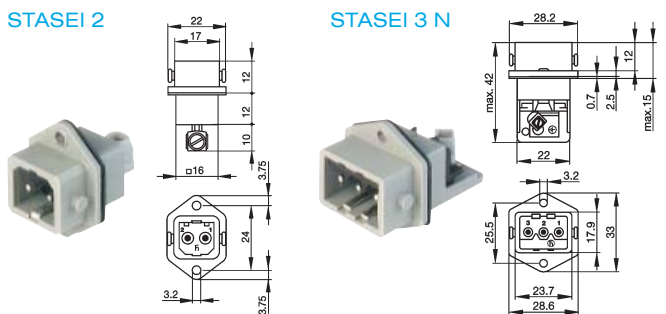
Part No.	Manuf. No.	Ord.No.
S STAS 3 N	932143-106	36565

STASEI Series

STASEI 2



STASEI 3 N



Technical Parameters		STASEI 2	STASEI 3 N
Type	panel-mounted connector with added gasket		
Number of contacts	2 + PE	3 + PE	
Conductor size	1,5 mm ²		
Rated voltage	250 V AC/DC	400 V AC/ 250 V DC	
Rated current	16 A AC / 10 A DC	16 A AC / 10 A DC	
Type of termination	screw	screw	
Protection class	IP54	IP54	
Operating temperature	-30°C to 90°C		

Part No.	Manuf. No.	Ord.No.
S STASEI 2	930622-106	40096
S STASEI 3 N	932145-106	36571

Safety Brackets

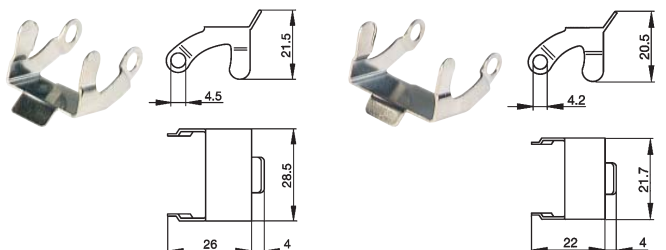


STASI 2

Safety bracket for 2 + PE - versions, tin-plated brass.

STASI 3

Safety bracket for 3 + PE - versions, tin-plated brass.



Part No.	Manuf. No.	Ord.No.
S STASI 2	731531-002	36567
S STASI 3	730801-002	36568