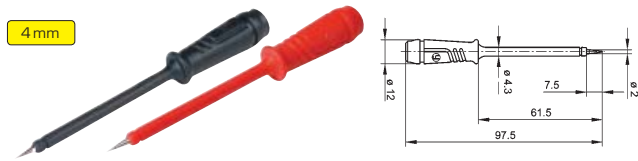


Test Probes (continued)

PRUF 2 Series

Test probe with elastic, shatter-proof insulated sleeve. Insulation and oxide layers can be penetrated by the slender stainless steel tip (2mm). 4 mm diameter brass socket connection. Total length 98mm. Contact resistance 50mOhm. Max. voltage, 60VDC, temperature range -25°C to +80°C.

4mm



Part No.	Description
PRUF 2 BK	Test probe 2mm with socket 4mm, black
PRUF 2 RD	Test probe 2mm with socket 4mm, red

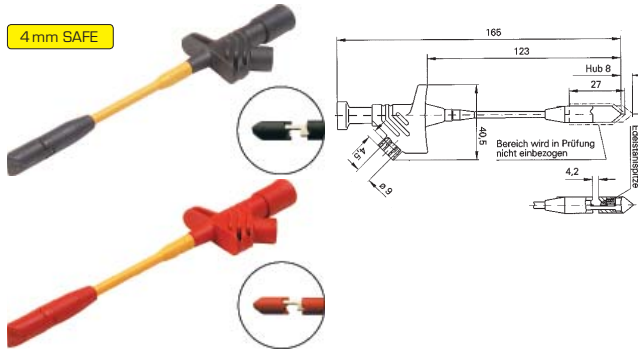
Part No.	Ord.No.
S PRUF 2 BK	36595
S PRUF 2 RD	36596

KLEPS 2700 Series

Piercing Clip

Safety clamp-type test probe with split test clamp. The sprung stainless steel tip can contact insulated leads with cross-sections between 0.25 mm² and 1.5 mm² (3.5 mm diameter) without the need to strip them. 4 mm diameter brass socket connection. Max. voltage 1000VDC, max. current 10A, contact resistance 100mΩ, temperature range -25°C to +80°C.

4mm SAFE



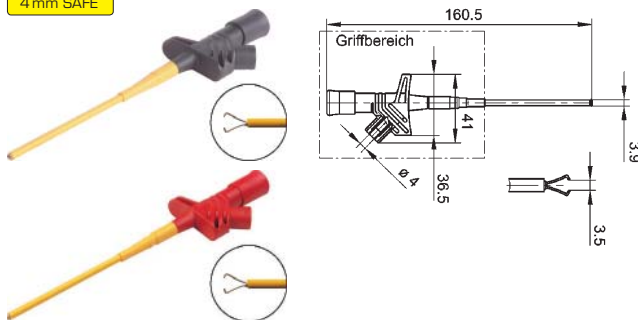
Part No.	Description
KLEPS 2700 BK	Safety test probe with socket 4mm „Piercing Clip“
KLEPS 2700 RD	Safety test probe with socket 4mm „Piercing Clip“

Part No.	Ord.No.
S KLEPS 2700 BK	39456
S KLEPS 2700 RD	39457

KLEPS 2600 Series

Safety clamp-type test probe with rotating grip jaws and flexible shaft. Wires and pins with up to a maximum diameter of 4 mm can be clamped thanks to the special form of the grip jaws. 4 mm diameter brass socket connection. Total length 160,5mm. Max. voltage 1000VDC, contact resistance 50mΩ, temperature range -25°C to +80°C.

4mm SAFE



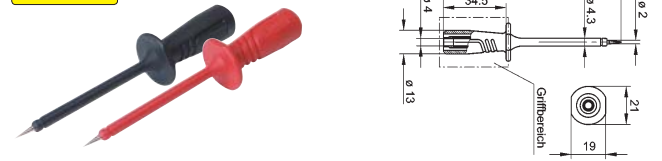
Part No.	Description
KLEPS 2600 BK	Safety Clamp-Type test probe, socket 4mm 160,5mm
KLEPS 2600 RD	Safety Clamp-Type test probe, socket 4mm 160,5mm

Part No.	Ord.No.
S KLEPS 2600 BK	39454
S KLEPS 2600 RD	39455

PRUF 2600 Series

Test probe with elastic, shatter-proof insulated sleeve and slender stainless steel tip. Tip for penetration of insulation and oxide layers. 4 mm diameter brass socket connection. Connects with safety measuring leads. Total length 98mm. Max. voltage 1000VDC, contact resistance 50mΩ, temperature range -25°C to +80°C.

4mm SAFE



Part No.	Description
PRUF 2600 BK	Test probe, socket 4mm, length 98mm black
PRUF 2600 RD	Test probe, socket 4mm, length 98mm red

Part No.	Ord.No.
S PRUF 2600 BK	39463
S PRUF 2600 RD	39462

IC 3000 Series

Clamp-type test probe, length 55mm.

ECONOMIC



Part No.	Description
IC 3000 BK	Clamp-Part No. test probe black 60VDC 3A
IC 3000 RD	Clamp-Part No. test probe red 60VDC 3A

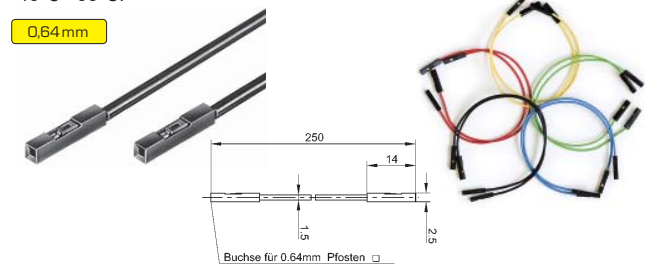
Part No.	Ord.No.
S IC 3000 BK	19004
S IC 3000 RD	19003

Measuring Leads

MKL 0,64/25-0,25

Measuring lead with two insulated sockets for 0.64 mm round pillar and 0.64 mm rectangular pillar. Highly flexible 0.25mm two stranded wire with two 0.64 mm diameter sockets. Max. current 3A, contact resistance 20mΩ, temperature range -40°C +60°C.

0,64mm



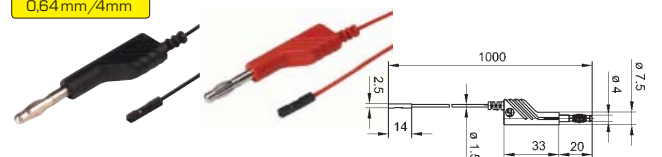
Part No.	Description
MKL 0,64/25-0,25	Measuring lead 25cm socket/socket .0,64mm 0,25mm ²

Part No.	Ord.No.
S MKL 0,64/25-0,25 BLACK	43135

MAL N4-0,64/100-0,25 Series

Measuring lead, 1m flexible wire 0,25m², isolated PVC, black. 4mm plug/0,64mm socket, max. current 3A, contact resistance 70mΩ, temperature range -15°C +70°C.

0,64mm/4mm



Part No.	Description
MAL N 4-0,64/100-0,25 BK	Measuring lead 1m plug 4mm/socket 0,64mm
MAL N 4-0,64/100-0,25 RD	Measuring lead 1m plug 4mm/socket 0,64mm

Part No.	Ord.No.
S MAL N 4-0,64/100-0,25 BK	43136
S MAL N 4-0,64/100-0,25 RD	43137