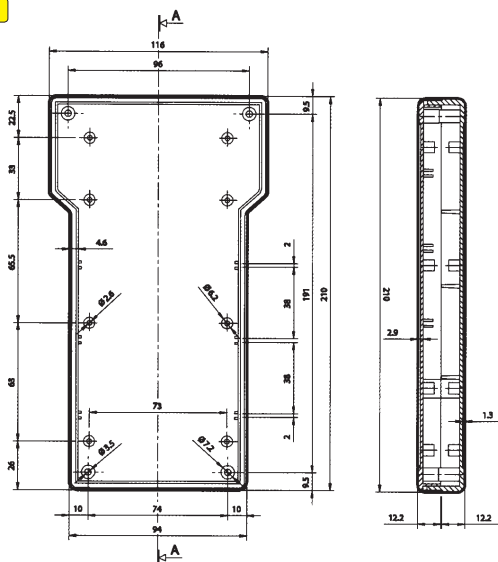


TEKBOX Series

- Modern enclosures in ABS (UL 94 HB)
- 'T' Shaped body, with head section for LCD displays
- Ideal for hand-held data collection
- Recessed top and base panel for fitting membrane keypads and product labels



ABS



Part No.	Description, dimensions A x B x C (LxWxH)
TBT-1.9 TEKBOX	ABS enclosure 210x116x25mm black

Part No.	Ord.No.
S TBT-1.9 TEKBOX	41620

LP1.9 LOGIK TESTER

Logic probe for testing



ABS

Part No.	Description, dimensions A x B x C (LxWxH)
LP1.9 LOGIK TESTER	ABS enclosure 210x116x25mm black

Part No.	Ord.No.
S LP1.9 LOGIK TESTER	41507



TEKO Plastic Pocket Enclosures for Remote Controls

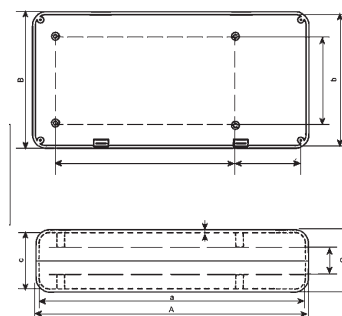
SOAP Series



- Simple, miniature/small enclosures in ABS (UL 94 HB)
- Rounded corner design easy to hold
- Ideal for peripheral devices
- Colors: black RAL 9004, gray RAL 9018 or white RAL 9002
- Snap together assembly
- Two case shells



ABS



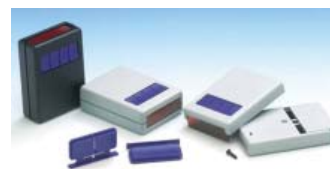
Part No.	Description, dimensions A x B x C (LxWxH)
10006.9 SOAP	ABS enclosure 56x31x24mm, black
10007.9 SOAP	ABS enclosure 80x56x24,5mm, black
10010.9 SOAP	ABS enclosure 58x35x16mm, black
10008.5 SOAP	ABS enclosure 131x65x30,5mm, light grey

Part No.	Ord.No.
S 10006.9 SOAP	41464
S 10007.9 SOAP	41431
S 10010.9 SOAP	41539
S 10008.5 SOAP	41452

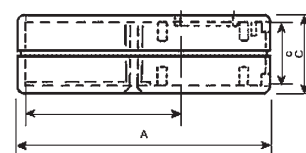
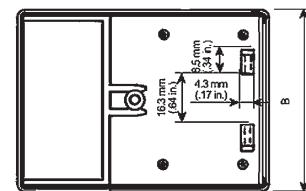
SNAP Series



- Miniature pocket size ABS enclosure (UL 94 HB) with push-buttons
- Handy design with rounded corners
- Battery compartment for a 9V cell
- Red transparent polystyrene end panel permeable to infra-red signals
- Aperture in top for push-button moldings - three Part No.s included: 1 button, 2 button and 4 button (simply discard the two unwanted moldings)
- Supply: Top, base, battery compartment cover, transparent end panel and 3 push-button moldings
- Four PCB mounting studs in the top
- Assembly by a single self-tapping screw
- Color: black RAL 9004 or light gray RAL 9018,
- Buttons blue RAL 5010
- Stainless steel belt clip - accessory



ABS



Part No.	Description, dimensions A x B x C (LxWxH)
10124.9 SNAP	ABS enclosure 82x60x25mm, black, 1, 2, 4 push-buttons

Part No.	Ord.No.
S 10124.9 SNAP	41647