

# NEW AGE ENCLOSURES

4330 Santa Fe Road  
San Luis Obispo, CA 93401  
T 805.595.1310  
F 805.595.1024  
www.NewAgeEnclosures.com



## Fast and Affordable Customization.

Ordering a market-ready enclosure<sup>®</sup> is made fast and affordable with our complete in-house capabilities. New Age provides machined openings to fit your PCB, pad printing for your company graphics, complete custom enclosures, custom colors, cable assemblies, wire harnesses, final assembly, testing and fulfillment services to save you additional time and money. Ask your representative for a free quote today 805-595-1310.

Sample CNC modifications, pad printing, colored resins, cable assembly, custom enclosure, and assembled remote control with key pad are shown below.



**CNC Machining**



**Pad Printing**



**Custom Colors**



**Cables & Wire Harnesses**



**Custom Enclosures**



**Assembly & Testing**

“Market-Ready Enclosures<sup>®</sup> For Today’s Electronics.”

NOTES: UNLESS OTHERWISE SPECIFIED

- CORNERS DRAWN SHARP TO BE R.005 MAXIMUM.
- EXTERIOR SURFACE TEXTURE TO BE LIGHT EDM FINISH. EQUIVELANT TO MT-11010.
- INTERIOR SURFACE TEXTURE TO BE: NONE.
- ALL INSIDE RADII .010R. ALL OUTSIDE RADII .020R MAX, UNLESS OTHERWISE SPECIFIED.
- ALL EXTERNAL DIMENSIONS AFFECTED BY THE DRAFT APPLY AT THE LARGE END OF THE FEATURE, AND ALL INTERNAL FEATURES AFFECTED BY THE DRAFT APPLY AT THE SMALL END OF THE FEATURE UNLESS OTHERWISE SPECIFIED.
- 1 DEGREE DRAFT IN THE DIRECTION OF PULL IS PERMISSIBLE UNLESS OTHERWISE SPECIFIED.
- THIS ENCLOSURE IS A PRESS FIT ASSEMBLY. FOR PERMANENT CLOSURE: A DROP OF ADHESIVE OR ULTRASONIC WELDING IS REQUIRED.
- MATERIAL / COLOR: ABS PLASTIC IS STANDARD IN BLACK OR WHITE. CUSTOM MATERIALS AND COLORS ARE AVAILABLE UPON REQUEST FOR QUOTE.
- PCB SIZES ARE RECOMMENDATIONS ONLY. FINAL SIZES AND VERIFICATION OF IT'S FIT ARE THE SOLE RESPONSIBILITY OF OEM.

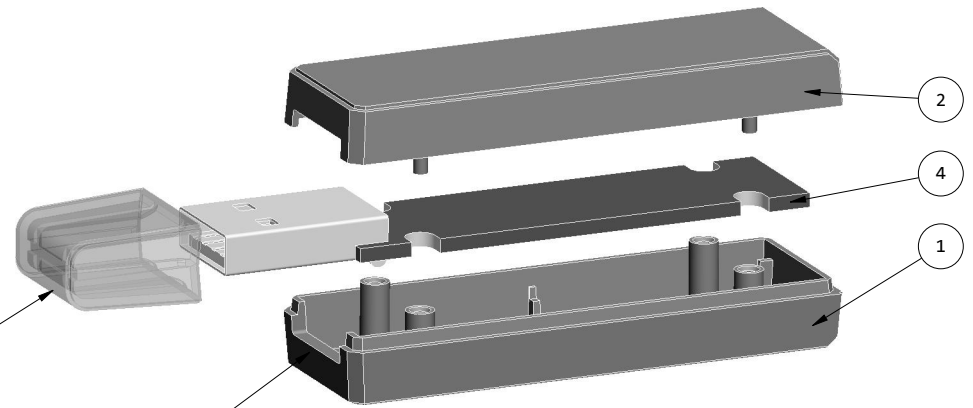
R E V I S I O N

REV.	DRAWN BY	ECO No	DESCRIPTION	DATE	APPROVED
A	M BOYER	DR XXX	PRELIMINARY RELEASE	21-Apr-10	D.C.
B	M BOYER		REDESIGN TO SQUARE UTILITY SHAPE	27-Apr-10	D.C.
C	M BOYER		MORE SQUARE	29-Apr-10	D.C.
D	M BOYER		ROUNDED EDGES TO CHAMFERS WITH DECORATIVE LIP	15-Jan-11	D.C.
E	M BOYER		CHANGES PER MEETING 17-Jan-11	18-Jan-11	D.C.
F	M BOYER		CHANGE PCB POSTS TO $\varnothing .047$ FROM $\varnothing .062$	20-Jan-11	D.C.
G	M BOYER		ADD USB COVER NOTE	26-Jan-11	D.C.
H	M BOYER		CHANGLE PART NO FROM 220805 TO 220705	07-Jun-11	D.C.
I	M BOYER		UPDATE TITLE BLOCK	22-Jun-11	D.C.
1.0	M BOYER		RELEASED TO MFG BY CUSTOMER	22-Jun-11	



SCALE 1.250

USB COVER  
SOLD SEPERATELY



MOLDED USB OPENING  
(OPTIONAL)

EXPLODED VIEW: 220705-U  
SCALE 1.250

220705(x) CONFIGURATIONS

	-S	-U	-C
220705 COVER	1		
220705 COVER w/ TYPE "A" USB OPENING		1	
220705 BASE	1		
220705 BASE w/ TYPE "A" USB OPENING		1	
220705 USB COVER (Accessory)			1

ITEM	FILE NAME	DESCRIPTION	MATERIAL	COLOR	QTY.
4	220705_PCB	220705 PCB - REFERENCE	.062" THICK	CUSTOMER SUPPLIED	1
3	220705_USB-CAP	220705 USB COVER	ABS	BLACK or WHITE	1
2	220705_COVER	220705X COVER - STANDARD	ABS	BLACK or WHITE	1
1	220705_BASE	220705X BASE - STANDARD	ABS	BLACK or WHITE	1

BILL OF MATERIALS

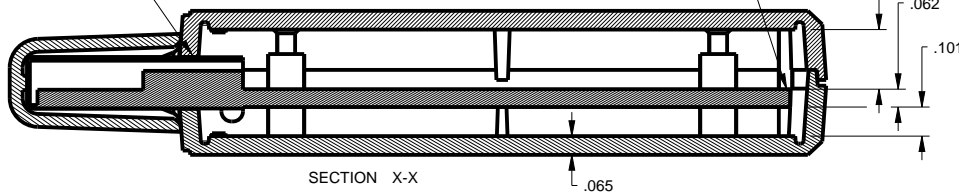
<p>THIRD ANGLE PROJECTION</p> <p>DO NOT SCALE DRAWING</p>	<p>TOLERANCES: UNLESS OTHERWISE SPECIFIED DIMENSIONS ARE IN U.S. INCHES:</p> <p>X.XX = .015 X.XXXX = .001 X.XXX = .010 X.X° = 1°</p>		<p><b>NEW AGE ENCLOSURES</b></p> <p>4330 Santa Fe Road San Luis Obispo, CA. 93401 ph. (805) 595-1310 fax (805) 595-1024 <a href="http://www.newageenclosures.com">www.newageenclosures.com</a></p>			
	<p>Customer's Part No: 220705</p>					
APPROVAL	BY	DATE	<p><b>STANDARD - USB DONGLE</b> <b>Pxx-220705x</b></p>			
CHECK						
ENG.						
SCALE	AS NOTED					
DRAWN BY	21-Apr-10		SIZE	DRAWING NAME	SHEET	REV.DOC
M BOYER			A	220705_R1_0	1 OF 6	1.0



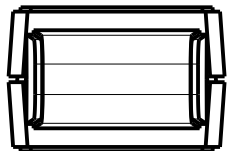
SCALE 1.500

THE FRONT OF THE PCB IS SUPPORTED BY CAPTURING THE USB CONNECTOR. WHEN ORDERING A 220705-S ENCLOSURE WITHOUT A PROTRUDING CONNECTOR THE DESIGNER SHOULD DISCUSS MOLDING ALTERNATE FRONT PCB POSTS FOR SUPPORT. SEE 3-D CAD MODEL AND ASK YOUR SALES REP FOR A QUOTE.

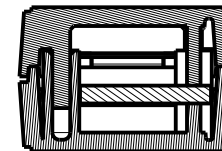
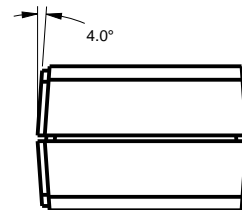
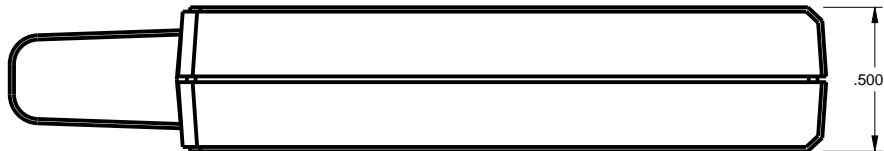
THIS ENCLOSURE CAN ACCOMODATE VARIOUS PCB THICKNESSES BY ADJUSTING THE MOLDED LENGTH OF TWO REAR POSTS. THE STANDARD PCB THICKNESS IS 0.062" ASK YOUR SALES REP FOR QUOTE.



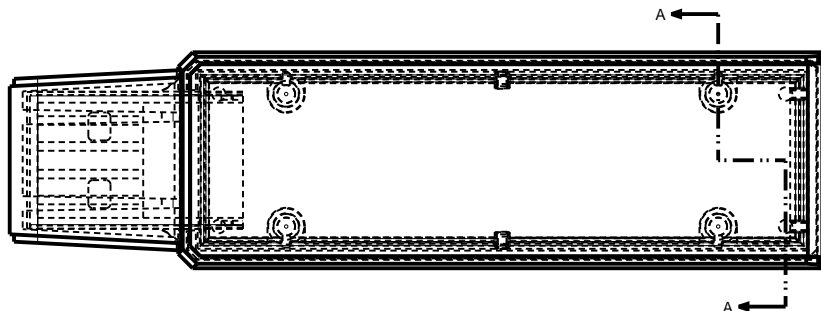
SECTION X-X



NOTE 11

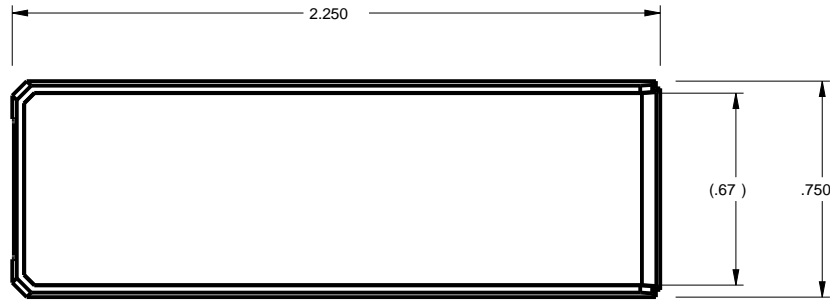


SECTION A-A

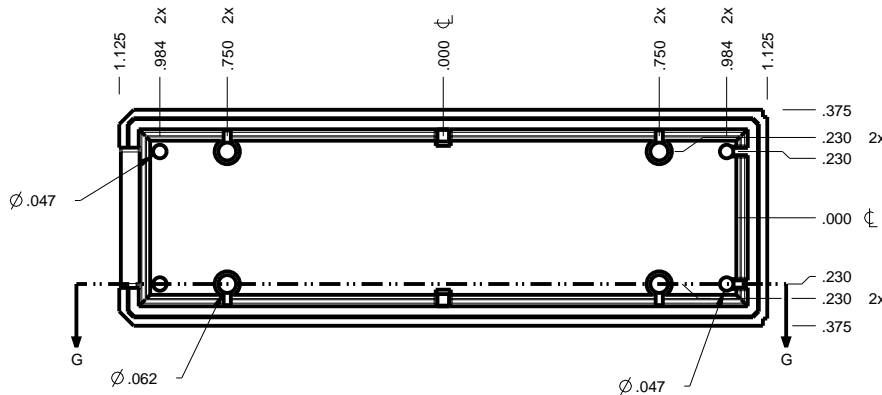
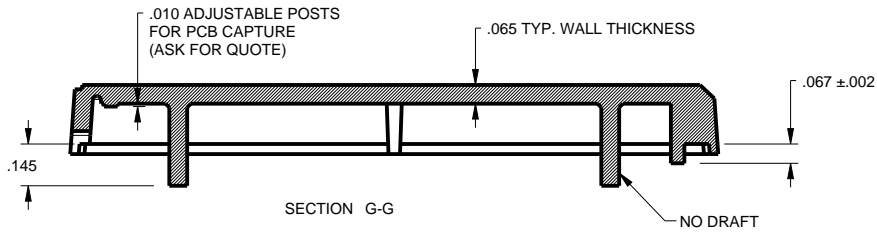
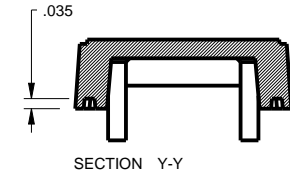
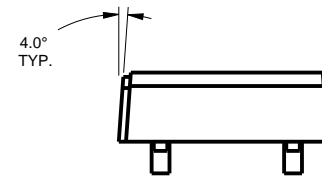
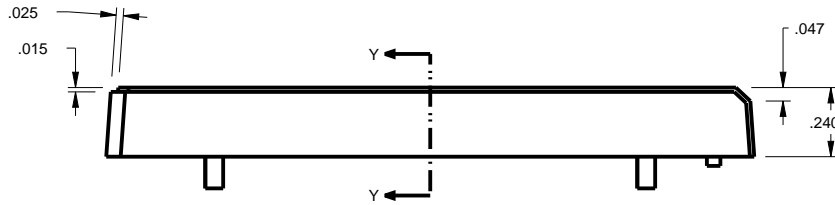
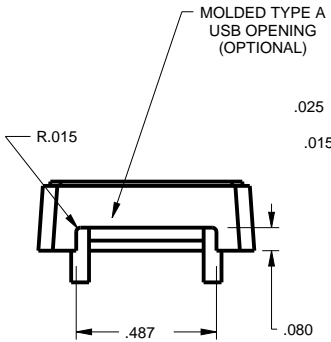


TOLERANCES: UNLESS OTHERWISE SPECIFIED DIMENSIONS ARE IN U.S. INCHES: X.XX = .015 X.XXXX = .001 X.XXX = .010 X.X° = 1°		<b>NEW AGE ENCLOSURES</b> 4330 Santa Fe Road San Luis Obispo, CA. 93401 ph. (805) 595-1310 fax (805) 595-1024 <a href="http://www.newageenclosures.com">www.newageenclosures.com</a>	
Customer's Part No: 220705			
APPROVAL	BY	DATE	<b>STANDARD - USB DONGLE</b> <b>Pxx-220705x</b>
CHECK			
ENG.			
SCALE	AS NOTED		SIZE
DRAWN BY	21-Apr-10		DRAWING NAME
M BOYER			A 220705_R1_0
		SHEET	REV.DOC
		2 OF 6	1.0

# 220705 COVER



SCALE 1.500

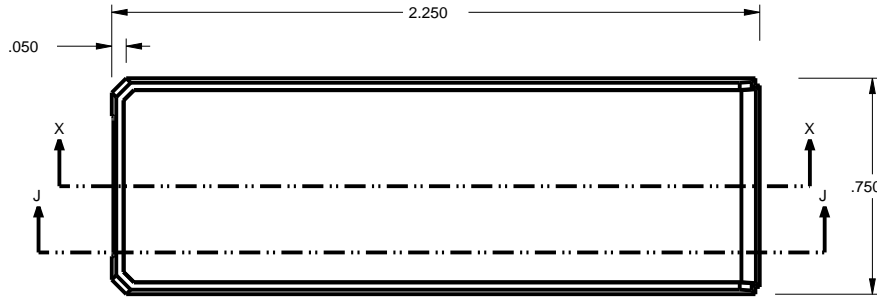


TOLERANCES: UNLESS OTHERWISE SPECIFIED DIMENSIONS ARE IN U.S. INCHES:	
X.XX = .015	X.XXXX = .001
X.XXX = .010	X.X° = 1°
NEW AGE ENCLOSURES	
Customer's Part No: 220705	
APPROVAL	BY DATE
CHECK	
ENG.	
SCALE	AS NOTED
DRAWN BY	SIZE
M BOYER	A
21-Apr-10	DRAWING NAME
	220705_R1_0
SHEET	REV.DOC
3 OF 6	1.0

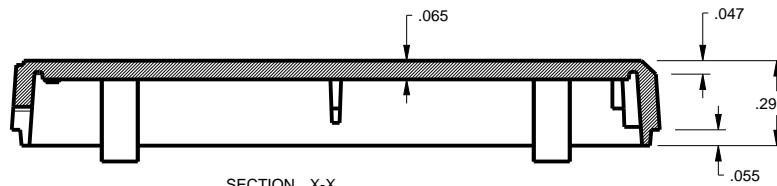
**NEW AGE ENCLOSURES**  
 4330 Santa Fe Road San Luis Obispo, CA. 93401  
 ph. (805) 595-1310 fax (805) 595-1024  
[www.newageenclosures.com](http://www.newageenclosures.com)

**STANDARD - USB DONGLE**  
**Pxx-220705x**

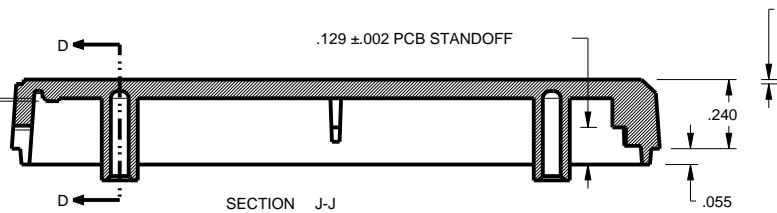
# 220705 BASE



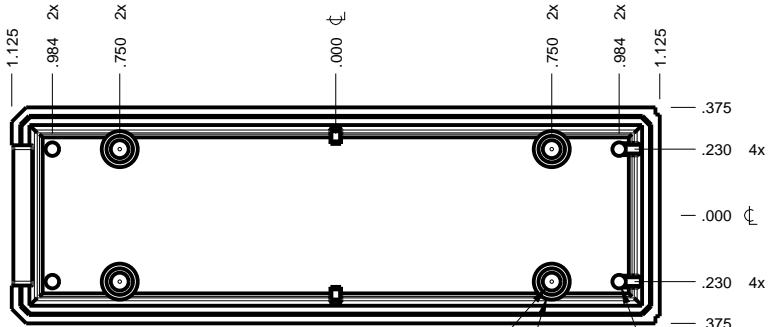
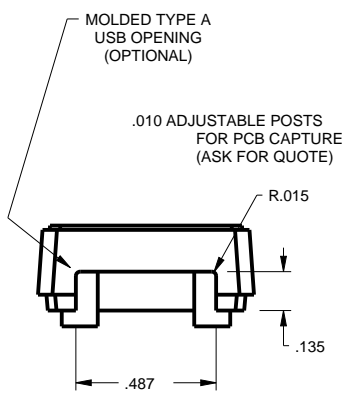
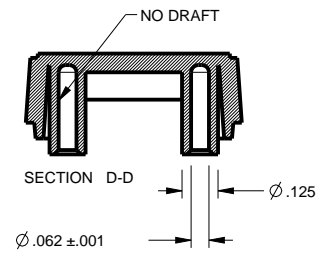
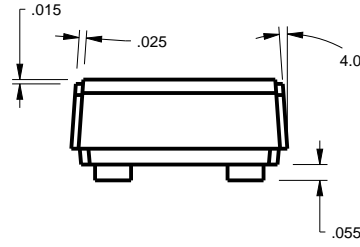
SCALE 1.500



SECTION X-X



SECTION J-J



$\phi .062$   
 $\phi .125$   
 $\phi .047$

TOLERANCES: UNLESS OTHERWISE SPECIFIED  
DIMENSIONS ARE IN U.S. INCHES:

X.XX = .015 X.XXXX = .001  
X.XXX = .010 X.X° = 1°

**NEW AGE ENCLOSURES**  
Customer's Part No: 220705

APPROVAL	BY	DATE
CHECK		
ENG.		
SCALE	AS NOTED	

**NEW AGE ENCLOSURES**  
 4330 Santa Fe Road San Luis Obispo, CA. 93401  
 ph. (805) 595-1310 fax (805) 595-1024  
[www.newageenclosures.com](http://www.newageenclosures.com)

**STANDARD - USB DONGLE**  
**Pxx-220705x**

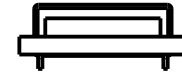
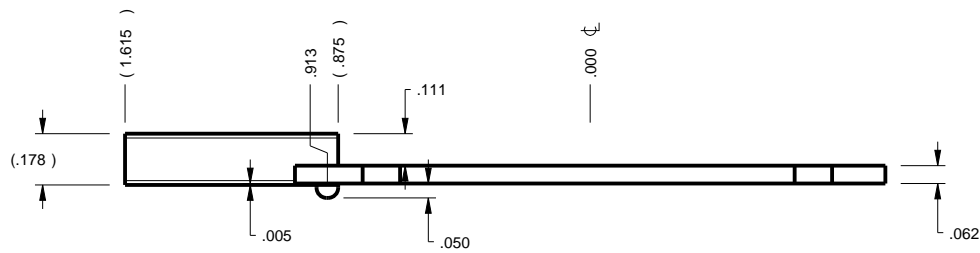
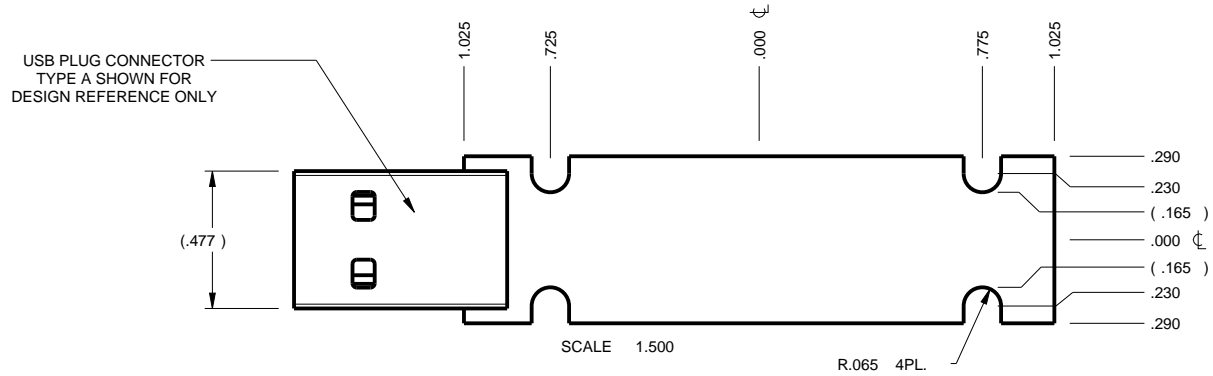
DRAWN BY  
M BOYER 21-Apr-10

SIZE A DRAWING NAME 220705\_R1\_0

SHEET 4 OF 6 REV.DOC 1.0

# 220705 PCB

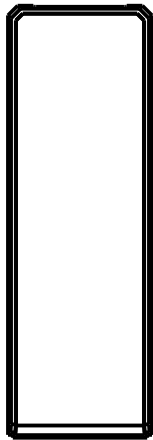
CUSTOMER SUPPLIED  
 PCB SIZES ARE RECOMMENDATIONS ONLY. FINAL  
 SIZES AND VERIFICATION OF IT'S FIT ARE THE  
 SOLE RESPONSIBILITY OF THE OEM.



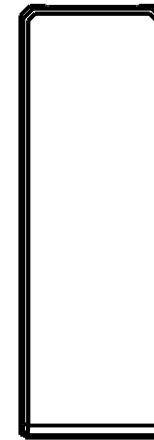
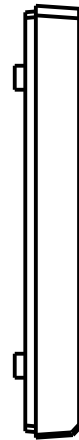
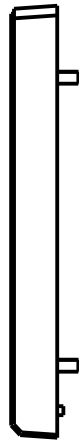
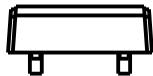
TOLERANCES: UNLESS OTHERWISE SPECIFIED DIMENSIONS ARE IN U.S. INCHES: X.XX = .015 X.XXXX = .001 X.XXX = .010 X.X° = 1°		<b>NEW AGE ENCLOSURES</b> 4330 Santa Fe Road San Luis Obispo, CA. 93401 ph. (805) 595-1310 fax (805) 595-1024 <a href="http://www.newageenclosures.com">www.newageenclosures.com</a>	
Customer's Part No: 220705			
APPROVAL	BY	DATE	<b>STANDARD - USB DONGLE</b> <b>Pxx-220705x</b>
CHECK			
ENG.			
SCALE	AS NOTED		
DRAWN BY	M BOYER	21-Apr-10	SIZE A DRAWING NAME 220705_R1_0 SHEET 5 OF 6 REV.DOC 1.0

## 2nd OPERATION DETAILS

NEW AGE ENCLOSURES DELIVERS YOUR ENCLOSURE MARKET-READY<sup>®</sup> WITH IN-HOUSE  
CNC MACHINING, PAD PRINTING, ASSEMBLY, AND FULFILLEMENT.  
ALL SURFACES AND AREAS ARE AVAILABLE FOR CNC ALTERATION BY NEW AGE ENCLOSURES  
CALL (805) 595-1310 FOR PRICING AND SCHEDULE.  
THE INSIDE RADIUS OF ANY MACHINED FEATURES SHOULD BE NO SMALLER THAN .031"



220705 COVER  
SCALE 1.000



220705 BASE  
SCALE 1.000



### PXX-220705X-XXX COVER - ABS, BLACK

STEP NO	DESCRIPTION	CUTTER	FIXTURE	ORIENTATION	PROGRAM
1	-	T2 = .062" EM	-	-	-
2	-	T2 = .062" EM	-	-	-

### PXX-220705X-XXX BASE - ABS, BLACK

STEP NO	DESCRIPTION	CUTTER	FIXTURE	ORIENTATION	PROGRAM
3	-	T2 = .062" EM	-	-	-
4	-	T2 = .062" EM	-	-	-

TOLERANCES: UNLESS OTHERWISE SPECIFIED  
DIMENSIONS ARE IN U.S. INCHES:  
X.XX = .015 X.XXXX = .001  
X.XXX = .010 X.X° = 1°

Customer's Part No: 220705

APPROVAL	BY	DATE
CHECK		
ENG.		
SCALE	AS NOTED	
DRAWN BY	M BOYER	
	21-Apr-10	

## NEW AGE ENCLOSURES

4330 Santa Fe Road San Luis Obispo, CA. 93401  
ph. (805) 595-1310 fax (805) 595-1024  
[www.newageenclosures.com](http://www.newageenclosures.com)

STANDARD - USB DONGLE					
Pxx-220705x					
SIZE	DRAWING NAME	SHEET	REV.DOC		
A	220705_R1_0	6 OF 6	1.0		