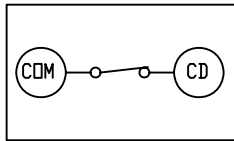
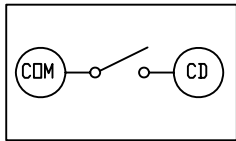
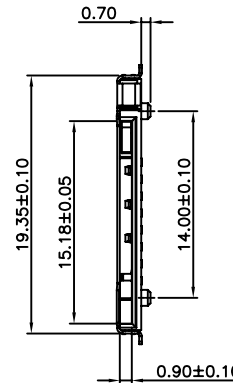
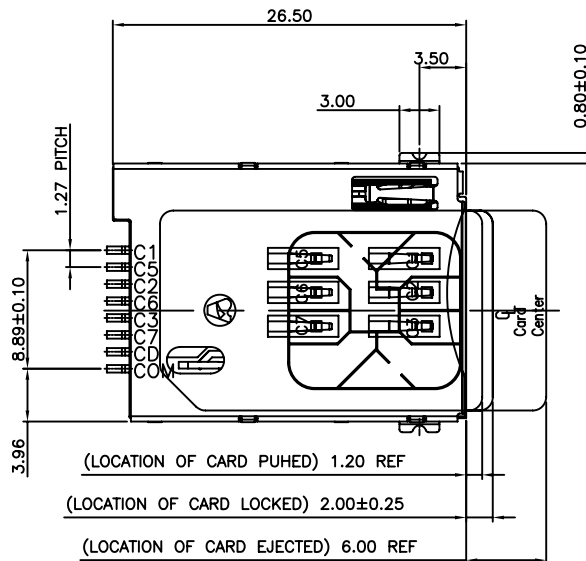
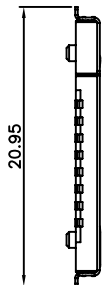
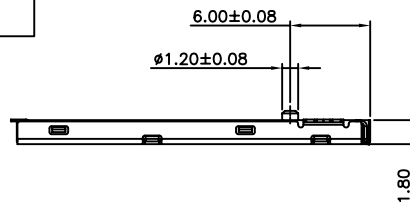


WITHOUT CARD

CARD INSERTED



CARD DETECT SW. STATUS.

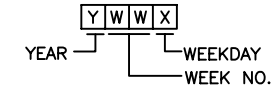


NOTE:

- (1) MATERIAL:  
HOUSING: LCP WITH GLASS FIBER REINFORCED, PER UL 94V-0 RATED, COLOR BLACK.  
CONTACTS: PHOSPHOR BRONZE.  
METAL COVER AND BOARDLOCKS: STAINLESS STEEL SHEET.
- (2) FINISH:  
CONTACTS: 0.254µm [10.0µ"] MIN. GOLD PLATING IN CONTACT AREA, MATTE-TIN ON SOLDER TAIL, WITH ENTIRE CONTACT UNDERPLATED 1.27µm [50.0µ"] MIN. NICKEL.  
BOARDLOCKS: GOLD FLASH ON SOLDER TAIL, WITH ENTIRE SOLDER TAIL UNDERPLATED 1.27µm [50.0µ"] MIN. NICKEL.

3 THE DIMENSIONS MARKED WITH "■" ARE CRITICAL DIMENSI

4 DATE CODE MARKING:



115A-A D A 0-R01  
1 2 3 4 5

- 1.Type  
A:6 Pin
- 2.Contact Plating  
D:10u"Gold Plating
- 3.Stand Off  
A:0mm
- 4.Peg Type  
0:w/Peg
- 5.RoHS

ITEM	DESCRIPTION	QTY(PC'S)
1	HOUSING	1
2	SLIDER	1
3	MAIN CONTACT	1
4	COM CONTACT	1
5	CD CONTACT	1
6	METAL COVER	1
7	CRANK	1
8	SPRING	1

UNLESS OTHERWISE SPECIFIED TOLERANCE

ANG.	±5°
0.	±0.3
.0	±0.25
.00	±0.20

SCALE: AS SHOWN UNIT: mm

DRAWN Willis 2008/6/2

CHECKED / /

APPROVED / /



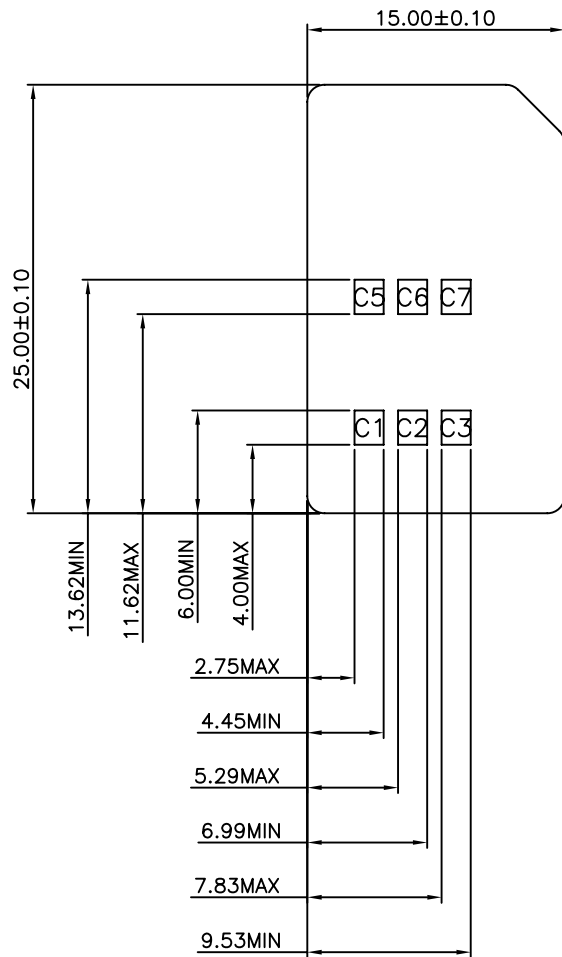
ATTEND TECHNOLOGY INC.  
www.attend.com.tw

DRAWN NAME: SIM Card Socket  
6+2 Pin, Push-Push Type

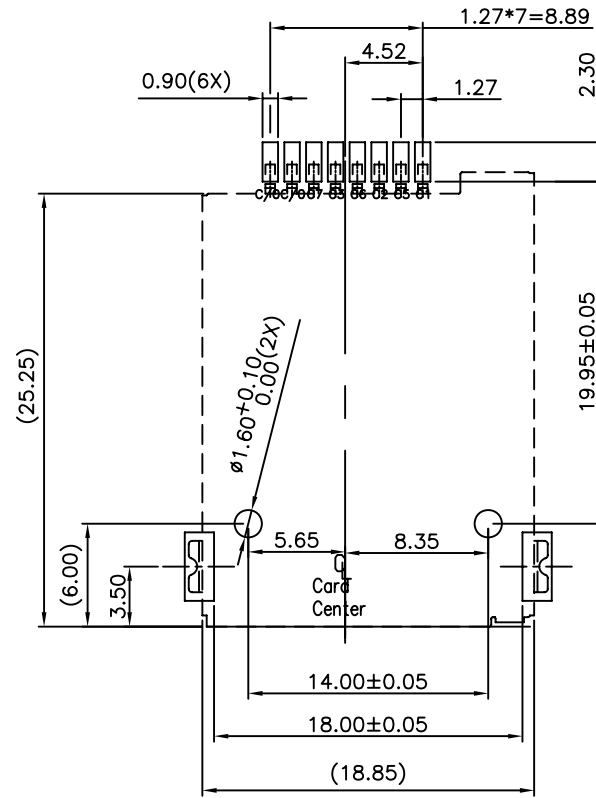
PRODUCT NO. 115A-ADA0-R01

FILE NAME: 115A-ADA0-R01

REV.	DESCRIPTION	DATE	SIZE	REV.
1			A4	
2				
3				
4				
5				
6				
7				
8				
9				
10				



APPLICABLE CRD SIZE



- C1 Supply voltage(VCC)
- C2 Reset(RST)
- C3 Clock(CLK)
- C4 Not used
- C5 Ground(GND)
- C6 RFU<sup>2</sup>
- C7 Input/output(I/O)
- C8 Not used

RECOMMENDED PCB LAYOUT

UNLESS OTHERWISE SPECIFIED TOLERANCE

ANG.	±5°
0.	±0.3
.0	±0.25
.00	±0.20

SCALE: AS SHOWN UNIT: mm

DRAWN Willis 2008/6/2

CHECKED / /

APPROVED / /

DATE SIZE A4 REV.



ATTEND TECHNOLOGY INC.

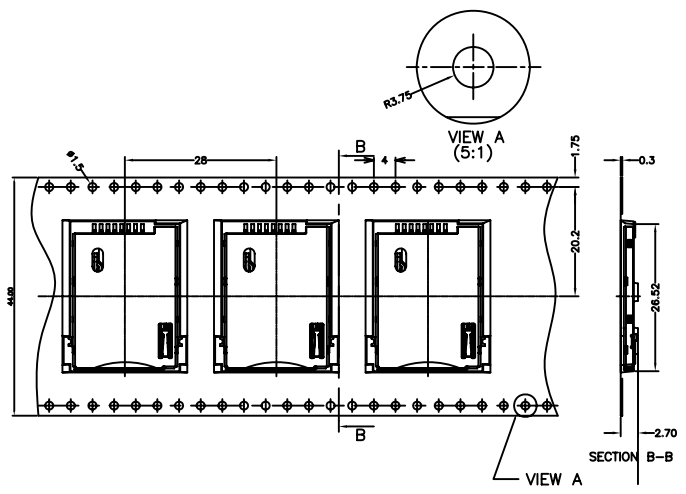
www.attend.com.tw

DRAWN NAME: SIM Card Socket  
6+2 Pin, Push-Push Type

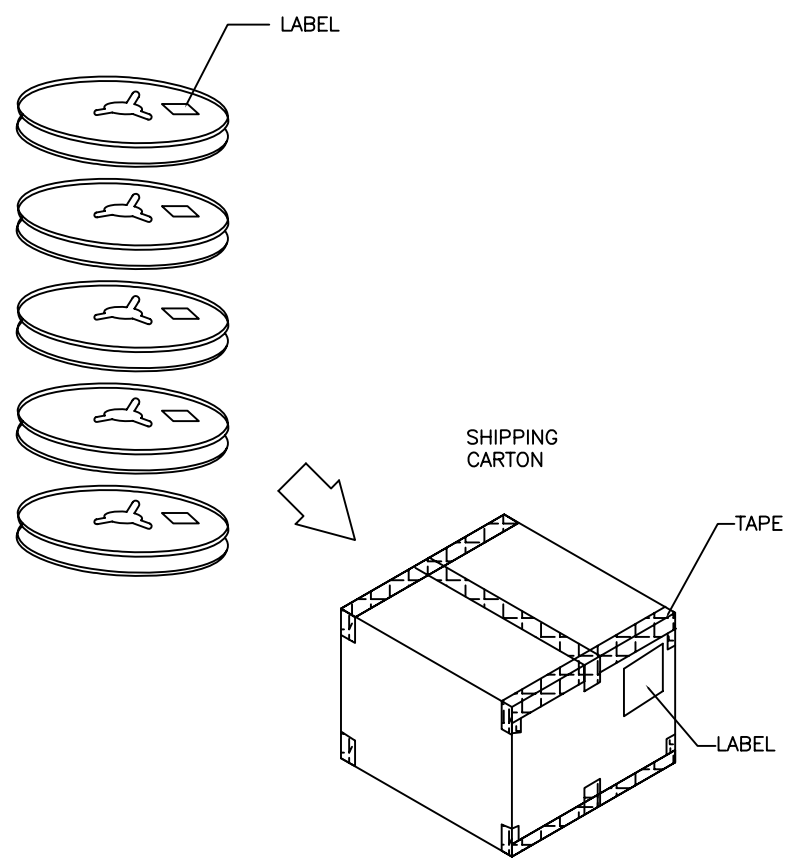
PRODUCT NO. 115A-ADA0-R01

FILE NAME: 115A-ADA0-R01

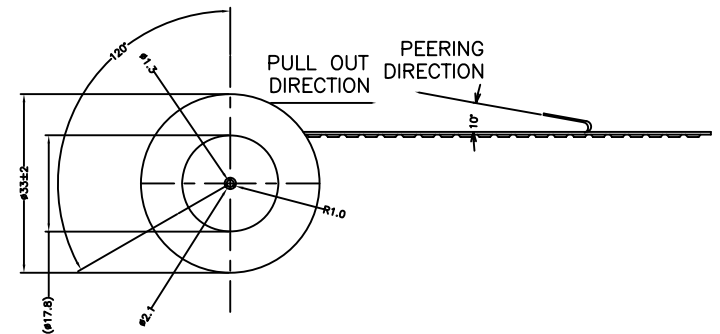
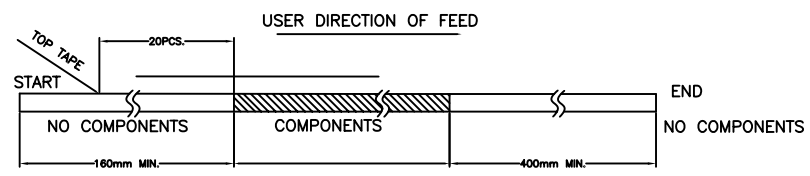
REV.	DESCRIPTION	DATE	SIZE	REV.
1			A4	



STANDARD PACKAGE: 1. 500 PCS / REEL  
2. 5 REELS / SHIPPING CARTON



350mm x 350mm x 270mm



						UNLESS OTHERWISE SPECIFIED TOLERANCE		 ATTEND TECHNOLOGY INC. www.attend.com.tw	
						ANG.	±5°		
						0.	±0.3	SCALE: AS SHOWN UNIT: mm	
						.0	±0.25	DRAWN: Willis 2008/6/2	
						.00	±0.20	CHECKED: / /	
						APPROVED: / /		DRAWN NAME: SIM Card Socket 6+2 Pin, Push-Push Type	
						DATE		PRODUCT NO. 115A-ADA0-R01	
REV.						SIZE A4		FILE NAME: 115A-ADA0-R01	
1	2	3	4	5	6	7	8	9	10