

**ebm-papst St. Georgen GmbH & Co. KG**

Hermann-Papst-Str. 1

D-78112 St. Georgen

Phone +49 (0) 7724 81-0

Fax +49 (0) 7724 81-1309

info2@de.ebmpapst.com

www.ebmpapst.com

Nominal data

| Type | 7056 ES | |
|--------------------------|-------------------|------|
| Phase | | 1~ |
| Nominal voltage | VAC | 230 |
| Frequency | Hz | 50 |
| Speed | min ⁻¹ | 2800 |
| Power input | W | 27.0 |
| Min. ambient temperature | °C | -25 |
| Max. ambient temperature | °C | 65 |
| Air flow | m ³ /h | 320 |
| Sound power level | B | 6.4 |
| Sound pressure level | dB(A) | 51 |

ml = max. load · me = max. efficiency · fa = running at free air · cs = customer specs · cu = customer unit
Subject to alterations

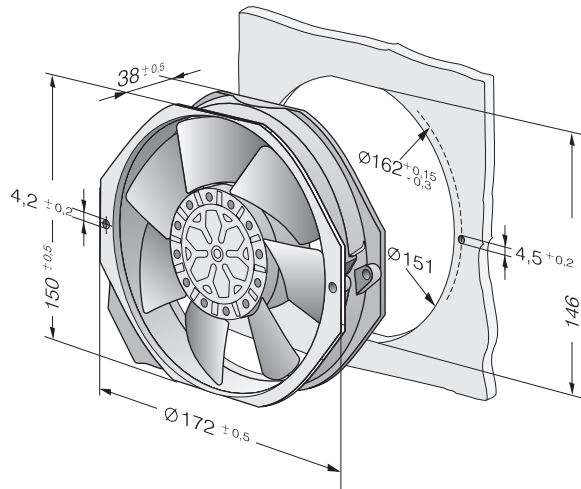


Technical features

| | |
|--|--|
| Mass | 0.900 kg |
| Dimensions | 150 x 172 x 38 mm |
| Material of impeller | Metal |
| Housing material | Metal |
| Direction of air flow | Air exhaust over bars |
| Direction of rotation | Right, looking at rotor |
| Bearing | Ball bearings |
| Lifetime L10 at 40 °C | 60000 h |
| Lifetime L10 at maximum temperature | 32000 h |
| Connection line | 2 flat plugs 2.8 x 0.5 mm. Housing with grounding lug and tapping screw M4 x 6 (TORX). |
| Motor protection | Protected from overload by a thermal switch |
| Approval | VDE, CSA, UL, CE |



Product drawing



Charts: Air flow

